

**POWER & COMMUNICATION LEGEND**

⊕ 120V DUPLEX OUTLET	⊕ MOTOR CONNECTION
⊕ 120V QUAD OUTLET	⊕ ELECTRICAL DISCONNECT
⊕ 240 VOLT RECEPTACLE	⊕ ELECTRICAL STARTER DISCONNECT
▽ DATA/COMMUNICATIONS OUTLET	⊕ ELECTRICAL CONNECTION W/NON-FUSED DISCONNECT
⊕ TELEPHONE OUTLET	⊕ ELECTRICAL CONNECTION W/WEATHER PROOF DISCONNECT
⊕ TELEVISION OUTLET	⊕ PANELBOARD
⊕ DATA/TV COMBO OUTLET	⊕ THERMOSTAT MOUNTED AT 48" A.F.F.
⊕ FLOOR OUTLET	⊕ SMOKE/CO ALARM
⊕ JUNCTION BOX	⊕ SMOKE ALARM
⊕ PUSHBUTTON STATION	⊕ NITROGEN DIOXIDE DETECTOR
⊕ EMERGENCY E-STOP FOR GRILL OR FIREPIT	⊕ CARBON MONOXIDE DETECTOR
⊕ TIME CLOCK	⊕ GROUND FAULT CIRCUIT INTERRUPTER
⊕ TIMER FOR GRILL OR FIREPIT	⊕ WEATHER PROOF COVER WITH GROUND FAULT CIRCUIT INTERRUPTER
⊕ BC BELOW COUNTER OUTLET	
⊕ AC ABOVE COUNTER OUTLET	

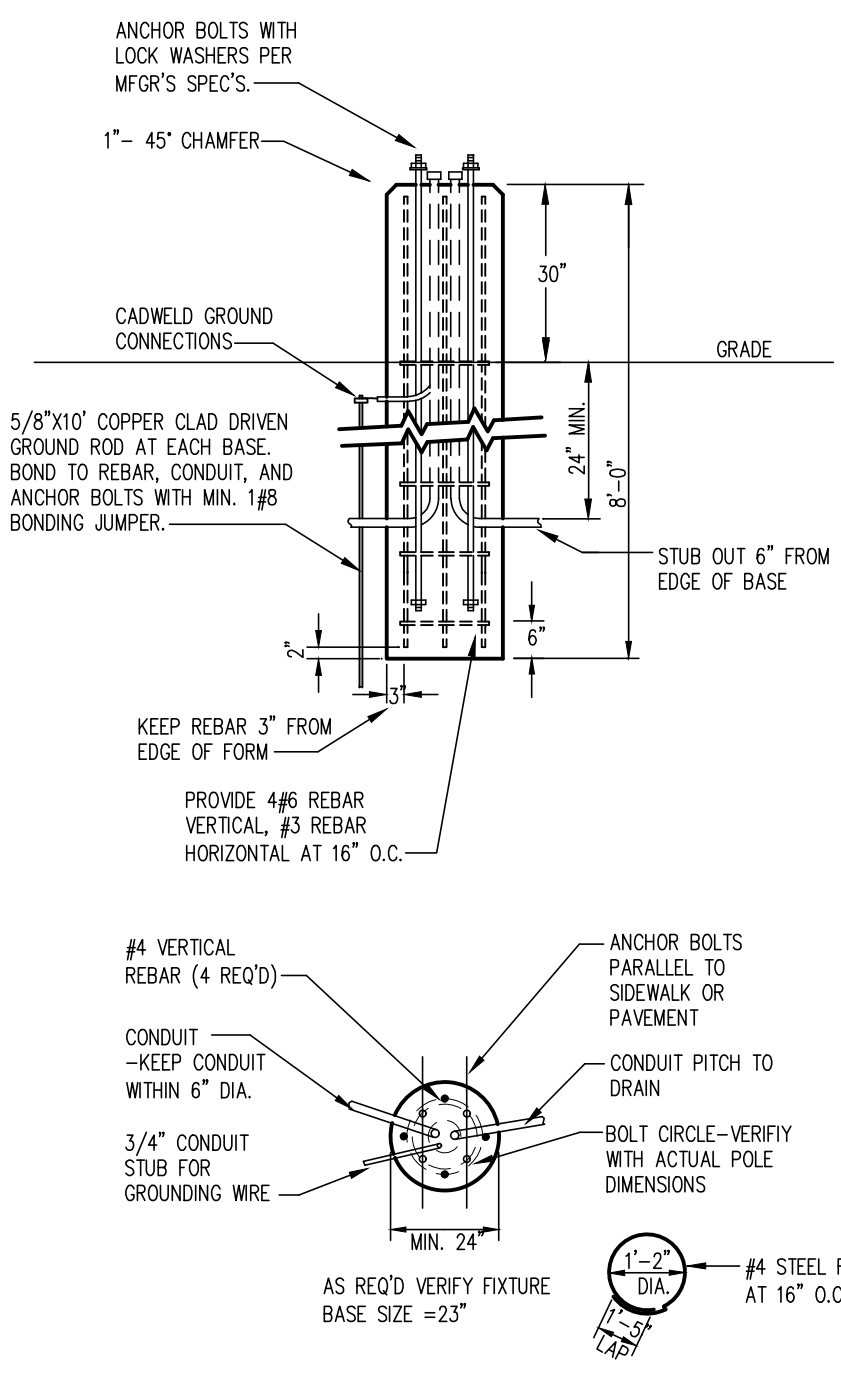
**LIGHTING LEGEND**

⊕ RECESSED 2x4 FIXTURE	⊕ SINGLE POLE SWITCH
⊕ RECESSED 2x2 FIXTURE	⊕ 2-POLE SWITCH
⊕ INDICATES NIGHTLIGHT FIXTURE	⊕ 3-WAY SWITCH
⊕ INDICATES EMERGENCY FIXTURE	⊕ 4-WAY SWITCH
⊕ INDICATES EMERGENCY/NIGHTLIGHT FIXTURE	⊕ WALL MOUNTED SINGLE LEVEL OCCUPANCY SENSOR - SEE SCHEDULE
⊕ SURFACE MOUNT 1x4 FIXTURE	⊕ WALL MOUNTED DUAL LEVEL OCCUPANCY SENSOR - SEE SCHEDULE
⊕ HIGH BAY 2x4 FIXTURE	⊕ CEILING MOUNTED OCCUPANCY SENSOR - SEE SCHEDULE
⊕ SURFACE WALL MOUNTED FIXTURE	⊕ INDICATES FIXTURE TO REMAIN ON FOR SECURITY PURPOSES
⊕ SURFACE CEILING MOUNTED FIXTURE	⊕ INDICATES LIGHT FIXTURE SWITCH-LEGS
⊕ RECESSED DOWNLIGHT OR DISC FIXTURE	⊕ INDICATES PANEL AND CIRCUIT NUMBER
⊕ SURFACE WALL MOUNTED FIXTURE	⊕ 1 INDICATES LIGHT FIXTURE TYPE
⊕ SURFACE MOUNTED FIXTURE	⊕ EX INDICATES EXISTING FIXTURE
⊕ SURFACE MOUNTED PENDANT FIXTURE	⊕ RL INDICATES RELOCATED FIXTURE
⊕ OUTSIDE POLE-MOUNT LIGHT FIXTURE	⊕ TC INDICATES FIXTURE CONTROLLED BY TIMECLOCK
⊕ EXTERIOR GROUND MOUNTED LIGHT FIXTURE	⊕ EM INDICATES FIXTURE ON EMERGENCY OR STANDBY POWER
⊕ EMERGENCY LIGHTING FIXTURE	
⊕ LED EXIT SIGN-SHADED AREA INDICATES ILLUMINATED FACE	
⊕ LED EXIT/EMERGENCY SIGN-SHADED AREA INDICATES ILLUMINATED FACE	
⊕ EXTERIOR EMERGENCY EGRESS LIGHT	

**LIGHTING FIXTURE SCHEDULE**

TYPE	LAMPS	WATTAGE	DESCRIPTION	NOTES
AA	LED	20	SMALL EXTERIOR WALL PACK	-
BB	LED	30	MEDIUM EXTERIOR WALL PACK	-
CC	LED	15	EXTERIOR RECESSED DOWNLIGHT	-
DD	LED	13	WALL MOUNT DOWN LIGHT	-
EE	LED	76	POLE MOUNT FIXTURE, TYPE II OPTICS, 20' POLE	RAB
FF	LED	76	POLE MOUNT FIXTURE, TYPE III OPTICS, 20' POLE	RAB
GG	LED	13	WALL MOUNT DOWN LIGHT	-
HH	LED	-	LED STRING LIGHTS	-
JJ	LED	-	LED TAPE LIGHT	-
KK	LED	50	LARGE EXTERIOR WALL PACK WITH EM BATTERY	-
LL	LED	24	BOLLARD FIXTURE	-
MM	LED	18	WALL MOUNT FIXTURE WITH EM BATTERY	-
NN	LED	24	BOLLARD FIXTURE WITH EM BATTERY	-

NOTES:

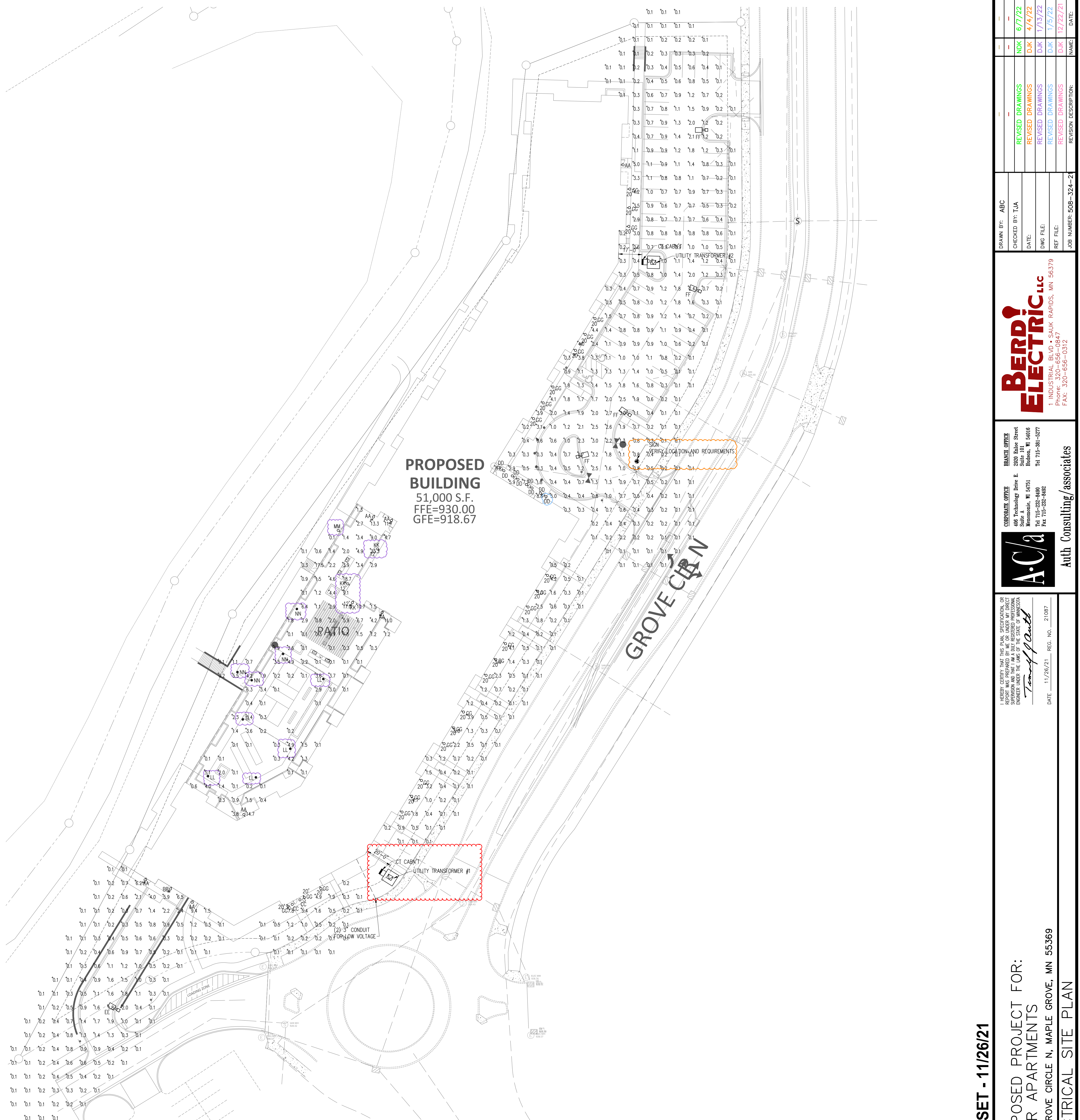


1. USE MFG'S DIMENSIONS FOR EXACT ANCHOR BOLT AND COVER PLACEMENT.
2. INSTALL INLINE FUSES IN EACH UNGROUNDED CONDUCTOR WITHIN POLE BASE HAND HOLE.
3. TROWEL FINISH EXPOSED PORTION OF BASE TO REMOVE/COVER FORM MARKS.

**POLE BASE DETAIL**  
E1.1  
NOT TO SCALE

**SITE NOTES**

1. THE CONTRACTOR SHALL PROVIDE ALL LABOR, MATERIALS AND EQUIPMENT NECESSARY FOR A COMPLETE AND FUNCTIONAL ELECTRICAL SYSTEM.
2. MATERIALS AND INSTALLATION SHALL COMPLY WITH CODES, UTILITY REQUIREMENTS, LAWS AND ORDINANCES OF FEDERAL, STATE, OSHA AND LOCAL GOVERNING BODIES HAVING JURISDICTION.
3. THE CONTRACTOR SHALL COMPLY WITH ALL CODES AND STANDARDS APPLICABLE TO THIS PROJECT THAT ARE LISTED BUT NOT LIMITED TO: NEC, NFPA, NEMA, ANSI, IES, IEEE, NFPA LIFE SAFETY 101, ASHRAE 90.1, IECG ENERGY CODE AND IBC BUILDING CODE.
4. PRIOR TO ANY DIGGING, TRENCHING, ETC. CONTACT ALL LOCAL UTILITY COMPANIES AND MUNICIPALITIES AND CONFIRM EXACT LOCATIONS OF ALL EXISTING UTILITIES.
5. MATERIALS AND EQUIPMENT SHALL BE LISTED AND/OR LABELED BY UL OR ANOTHER NATIONALLY RECOGNIZED TESTING LABORATORY.
6. ALL MATERIAL EQUIPMENT, WIRING DEVICES, ETC SHALL BE NEW, UNLESS SPECIFICALLY NOTED AS EXISTING TO BE REUSED.
7. ALL MATERIALS AND EQUIPMENT SHALL BE STORED, HANDLED, ERECTED, INSTALLED, CONNECTED, CLEANED, ADJUSTED, TESTED, CONDITIONED AND PLACED IN SERVICE IN ACCORDANCE WITH THE MANUFACTURERS DIRECTIONS AND RECOMMENDATIONS.
8. COORDINATE THE UTILITY COMPANY SERVICE FEEDS AND INSTALLATION.
9. ALL POLE FIXTURES TO BE LOCATED 4' AWAY FROM EDGE OF CURB.
10. ALL EXTERIOR LIGHT FIXTURES TO BE CONNECTED TO A COMMON EQUIPMENT GROUND. USE #6 TYPE THIN.
11. ALL CIRCUIT TO BE PLACED IN 1" CONDUITS UNLESS OTHERWISE NOTED. CIRCUIT TO USE COPPER WIRE, TYPE THIN.
12. THE CONTROLLING LIGHTING CONTACTORS SHALL BE MOUNTED INSIDE THE BUILDING WITH TIME-CLOCK CONTROL & REMOTE PHOTOCELLS LOCATED ON THE EXTERIOR SIDE OF THE BUILDING WALL. INSTALL PHOTOCELLS AT LOCATIONS WHERE BUILDING OR OTHER OBSTRUCTIONS WILL NOT INTERFERE WITH THEIR PROPER OPERATION. FINAL BRANCH CIRCUIT SUPPLY CONNECTIONS WILL BE PROVIDED BY THE BUILDING ELECTRICAL CONTRACTORS.
13. MIN. BURIAL DEPTH FOR THE LIGHTING CIRCUIT SHALL BE 24". A SLIGHT DECREASE IN DEPTH IS ALLOWED WITHIN 10' OF THE POLES.
14. VERIFY CONSTRUCTION AREAS ON OTHER SITE PLANS FOR OBSTACLES AND CONSTRUCTION LIMITS.



**ELECTRICAL SITE PLAN**  
E1.1  
SCALE: 1" = 30'

**PERMIT SET - 11/26/21**

PROJECT: **PROPOSED PROJECT FOR: RISOR APARTMENTS**  
9775 GROVE CIRCLE N, MAPLE GROVE, MN 55369

**ELECTRICAL SITE PLAN**

SHEET NO. **E1.1**

DATE: 11/26/21 REG. NO. 21987

BRANDE OFFICE: 3200 Lake Street, Minneapolis, MN 55416, Tel: 763-341-5277

CORPORATE OFFICE: 408 Technology Drive E., Minneapolis, MN 55410, Tel: 763-282-8400, Fax: 763-282-8482

**A.C/a** Auth Consulting/associates

REVISIONS:

NO.	DATE	DESCRIPTION
1	6/7/22	REVISED DRAWINGS
2	4/4/22	REVISED DRAWINGS
3	1/13/22	REVISED DRAWINGS
4	1/7/22	REVISED DRAWINGS
5	12/22/21	REVISED DRAWINGS

DRAWN BY: ABC  
CHECKED BY: TJA  
DATE:  
DWG FILE:  
REF FILE:  
JOB NUMBER: 508-324-2