

CUSTOMER APPROVAL OF DESIGN I/C:
SIGNATURE: _____
PRINTED NAME: _____ DATE: _____

Please review CenterPoint Energy design for installing Natural Gas to your facility. Verify the route of the Service Line and Meter Location on the building. If there is a conflict, please contact the Designer or Sales Rep as shown in the Title Block. Before a natural gas service line can be installed, you must clearly mark all privately-owned underground facilities including: septic tanks, drain fields, sewer lines, water wells, sprinkler systems, invisible fences, electric lines and pipelines. CenterPoint Energy and its representatives are not responsible for damage to these items if they are not clearly marked at time of installation.

NOTE: BORE ALL PAVED STREETS AND DRIVEWAYS

Minimum depth requirements for pneuma-gopher crossings of state highways and county roads is 60".
Minimum depth requirements for pneuma-gopher crossings of city streets and township roads is 48".
Minimum depth for parallel installations on state highways and county roads is 36".
Minimum depth for parallel installations on city streets and township roads is 30".
All steel pipe welds to be coated with 2 part epoxy.



PROPRIETARY AND CONFIDENTIAL

100250742
M52900 MAPLE GROVE

ONE CALL:
Hennepin
*NE22 T119/R22
* = this Page

LEGEND:

- ACTIVE
- DESIGNED
- PROPOSED
- ABANDONED
- A ABANDONED

- Interruptible
- Existing
- Normal
- Future
- Proposed

Address: 13335 Grove Dr N
Customer: Cub Foods
Contact Person: Rob Sticha
Contact Phone: 612-490-1478
Sales Rep: Barry Hager
Sales Rep Phone: 507-381-1669
Construction Hotline: 612-321-5310
Copies To Pipeline Integrity: No
Curb Valve: No
Copies to Corrosion: No
Corrosion Approval: N/A
Corrosion Contact: N/A
Follow Internal Pipe Sampling Requirements? No
GFIP#: N/A
Permits: Yes - City Of Maple Grove
Requested Install Date: 11/21/2021

Approval: *Wendy Seidl* 19 Oct 21

PROJECT DESCRIPTION:
CUB WINE and SPIRITS

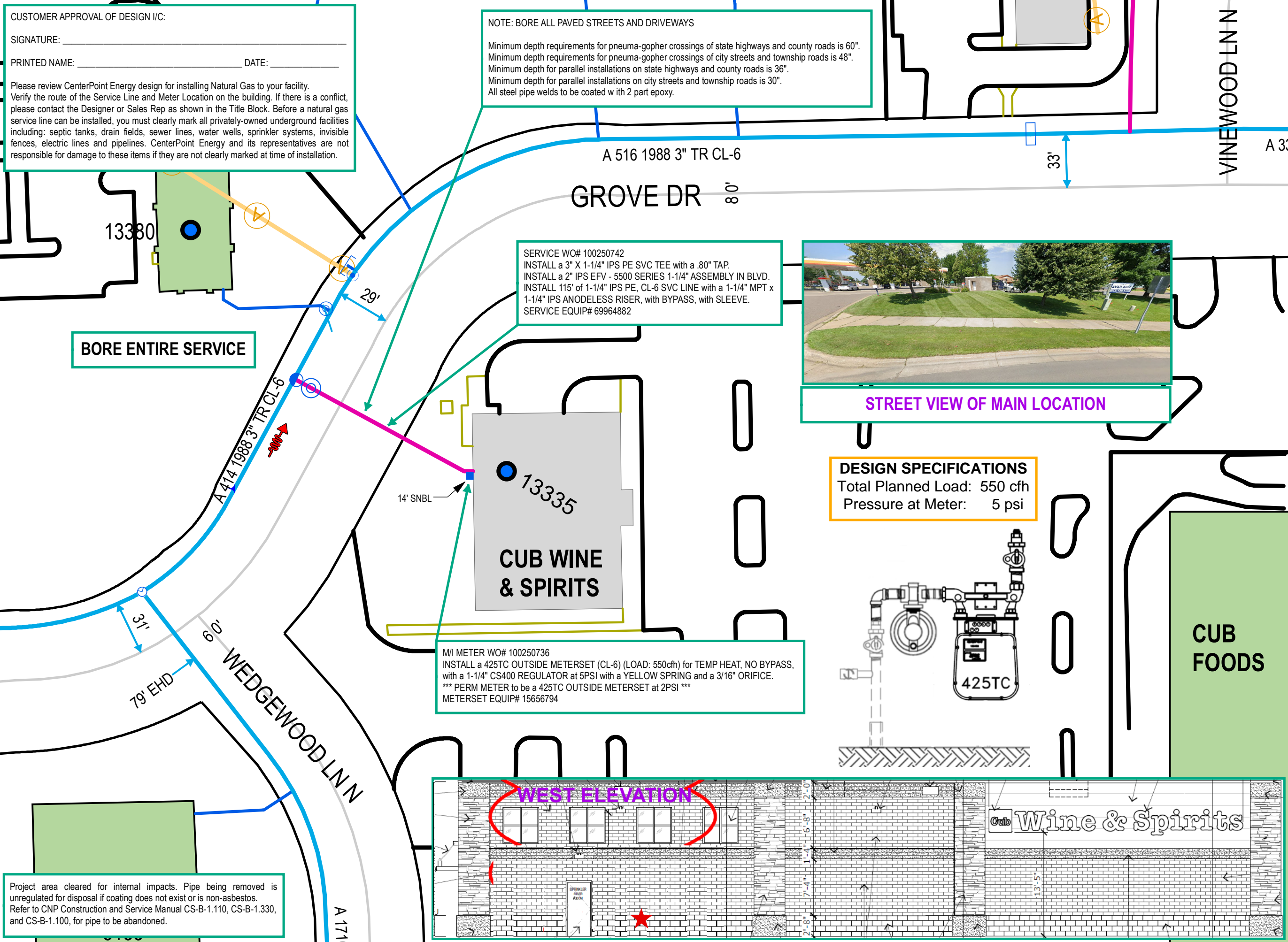
DESIGNER: TJ Dehne
PHONE #: 612-321-5426
DRAWN BY: TJ Dehne
DESIGN DATE: 10/18/2021

Revised Print
Destroy All Others
Revision History
Date:
Description:
Design Approval:

IC Services
SCAN DATE: 11/18/2021

1" : 50'
SHEET 1 OF 1

DESIGNER EXPRESS DESIGN
10/18/2021 3:49:50 PM

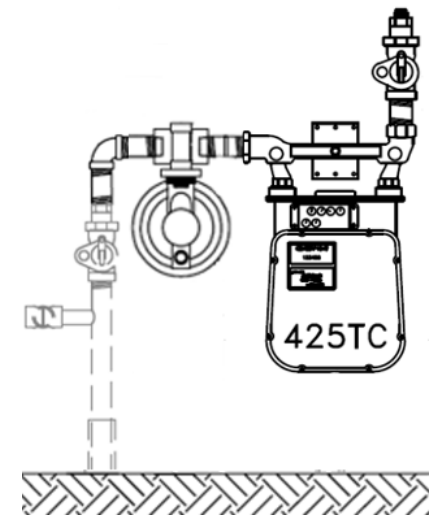


BORE ENTIRE SERVICE

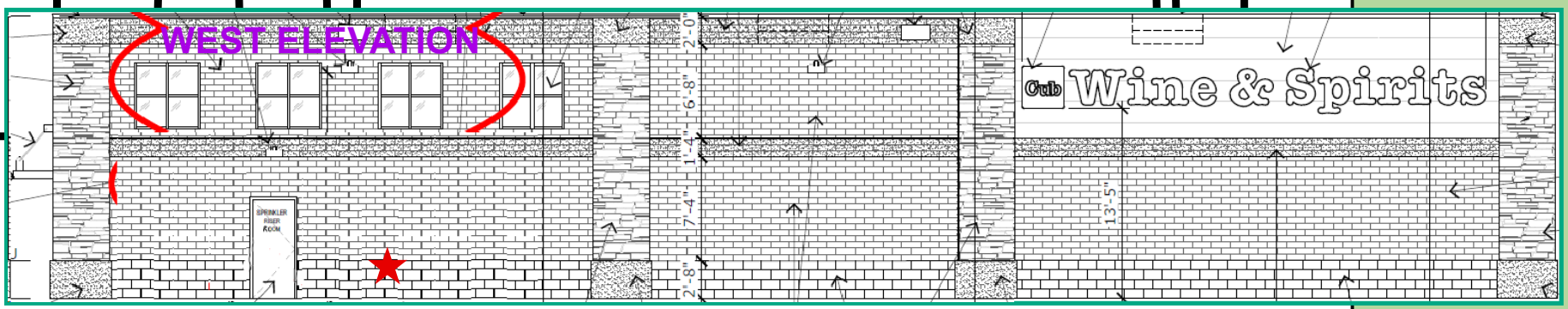
SERVICE WO# 100250742
INSTALL a 3" X 1-1/4" IPS PE SVC TEE with a .80" TAP.
INSTALL a 2" IPS EFV - 5500 SERIES 1-1/4" ASSEMBLY IN BLVD.
INSTALL 115' of 1-1/4" IPS PE, CL-6 SVC LINE with a 1-1/4" MPT x 1-1/4" IPS ANODELESS RISER, with BYPASS, with SLEEVE.
SERVICE EQUIP# 69964882



DESIGN SPECIFICATIONS
Total Planned Load: 550 cfh
Pressure at Meter: 5 psi



M/I METER WO# 100250736
INSTALL a 425TC OUTSIDE METERSET (CL-6) (LOAD: 550cfh) for TEMP HEAT, NO BYPASS, with a 1-1/4" CS400 REGULATOR at 5PSI with a YELLOW SPRING and a 3/16" ORIFICE.
*** PERM METER to be a 425TC OUTSIDE METERSET at 2PSI ***
METERSET EQUIP# 15656794



Project area cleared for internal impacts. Pipe being removed is unregulated for disposal if coating does not exist or is non-asbestos. Refer to CNP Construction and Service Manual CS-B-1.110, CS-B-1.330, and CS-B-1.100, for pipe to be abandoned.