

**CONSTRUCTION NOTES:**

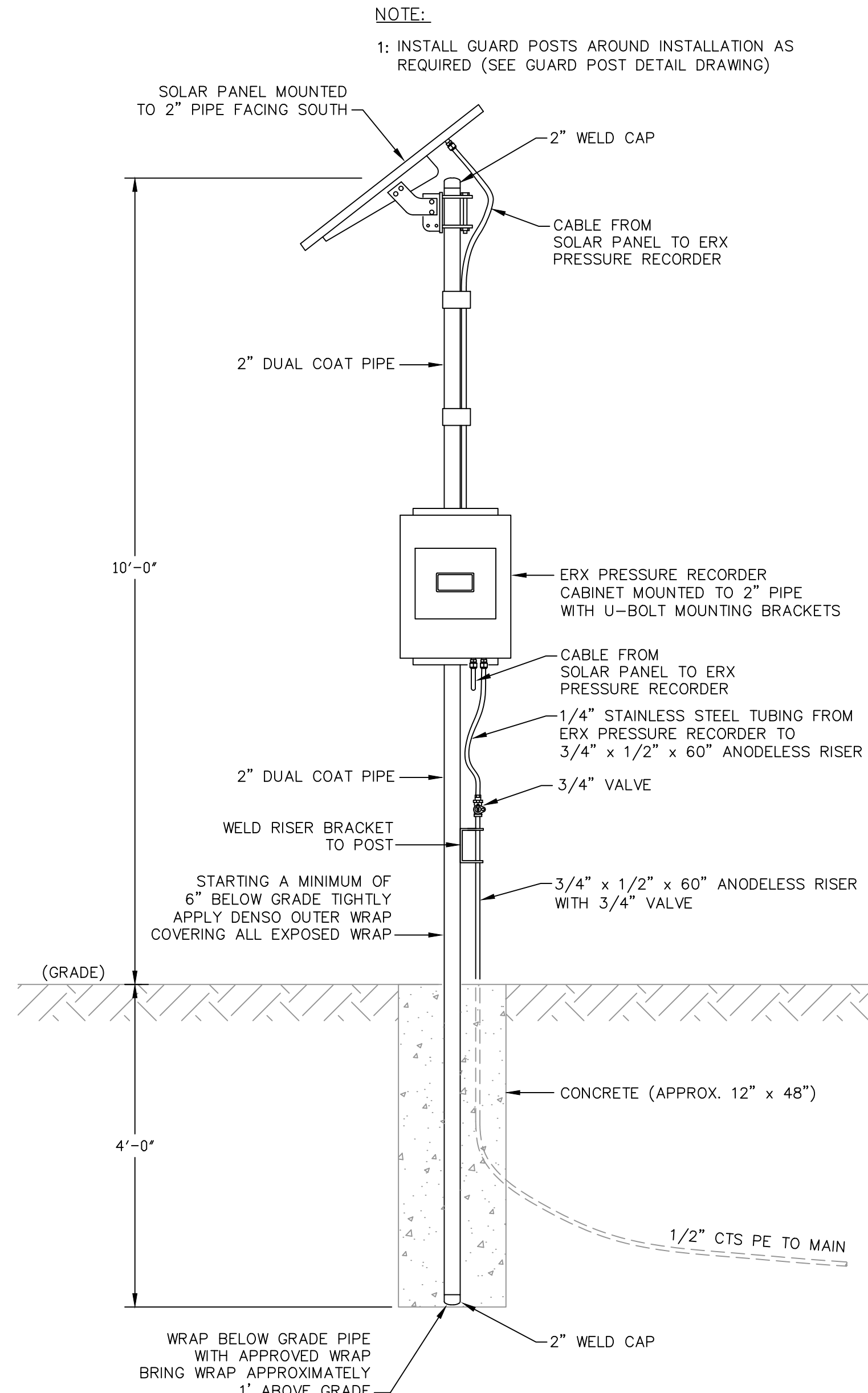
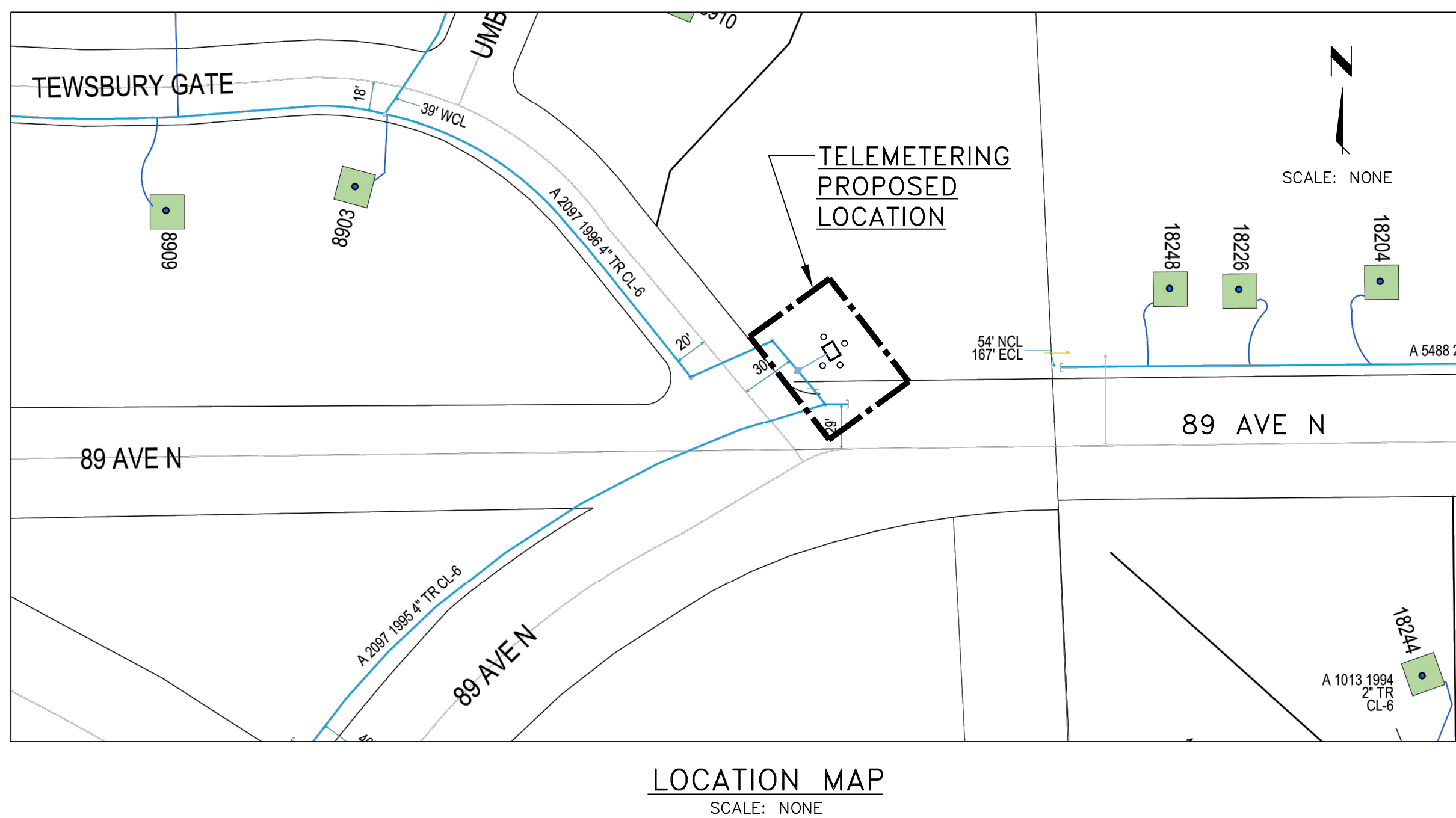
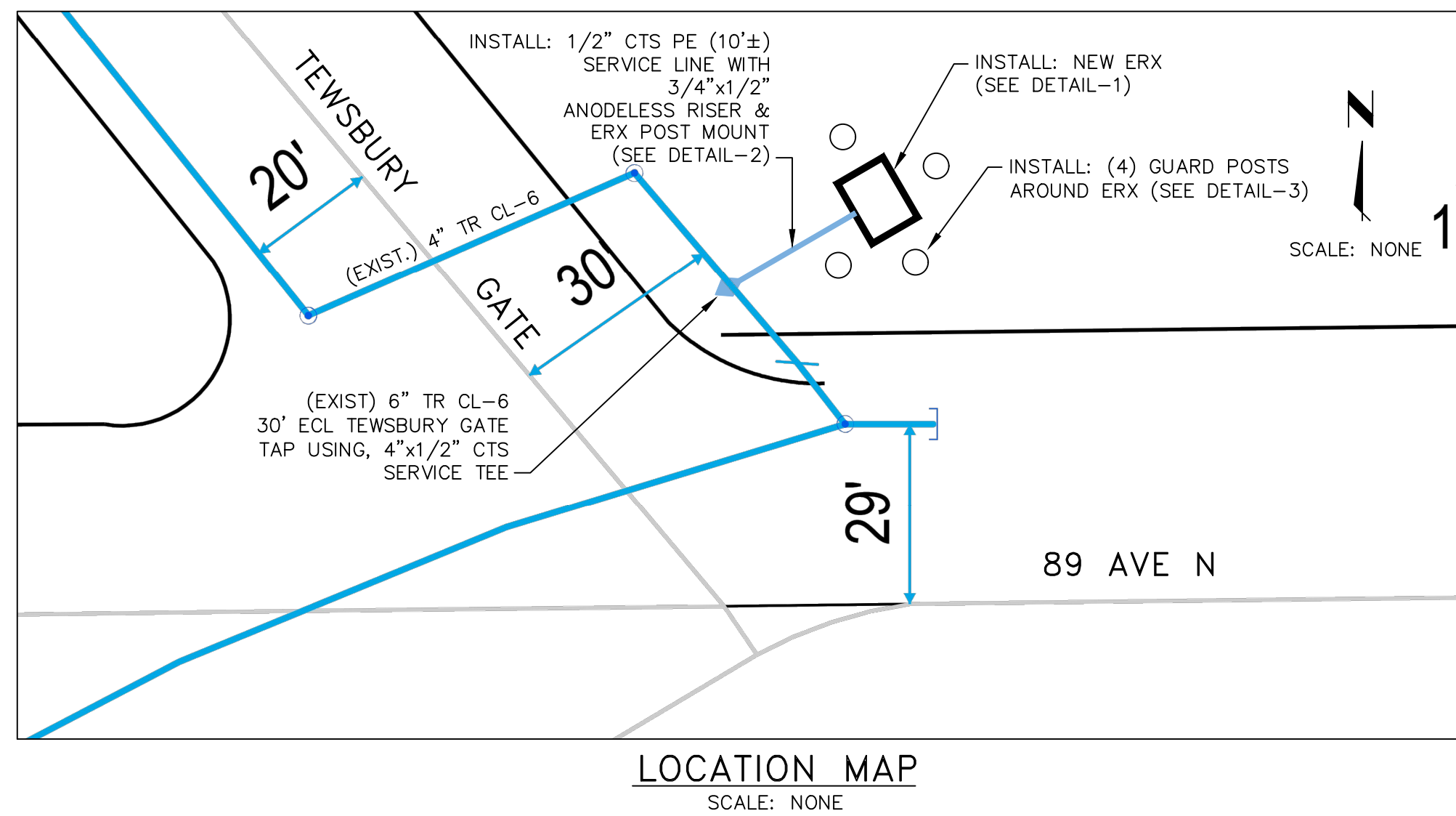
1. This WO is to install a new CL-6 telemetering point at the NE corner of 89<sup>th</sup> Ave N & Tewsbury Gate in the City of Maple Grove.
2. Coordinate this job with Cyndy Friend (612-366-5962) or Rick Anderson (612-366-5870).
3. All CL-6 sensing line shall be installed from 4" TR CL-6 main (A 2097 1996) to ERW mounting post. Use an abodeless riser to bring line above ground.
4. A mounting post shall be installed within City R/W at the NE corner of 89<sup>th</sup> Ave N & Tewsbury Gate and north of bituminous trail. Have R/W staked to ensure location is within R/W.
5. Four guard posts shall be installed in front of ERX post.

**CONSTRUCTION PROCEDURES:**

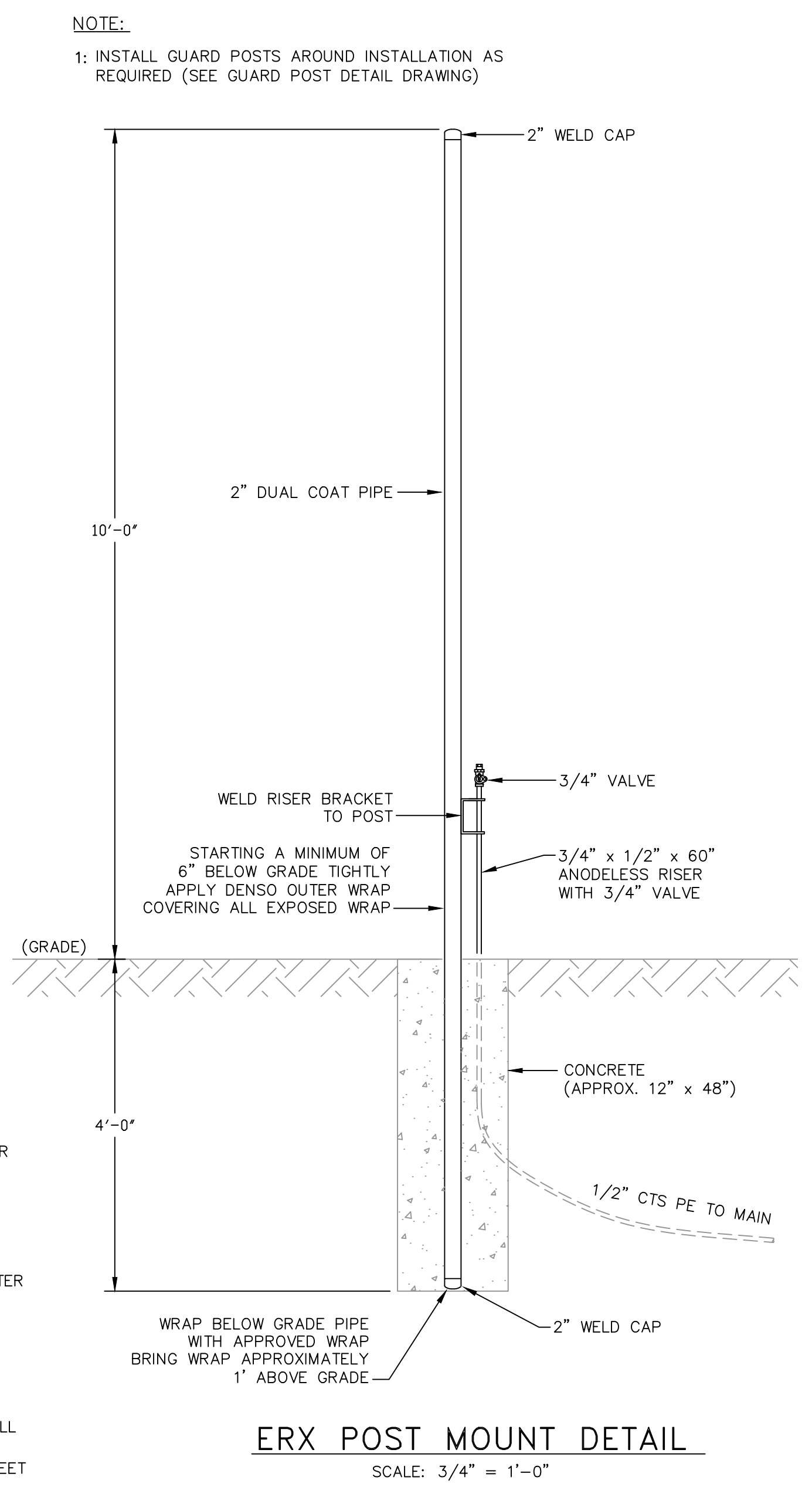
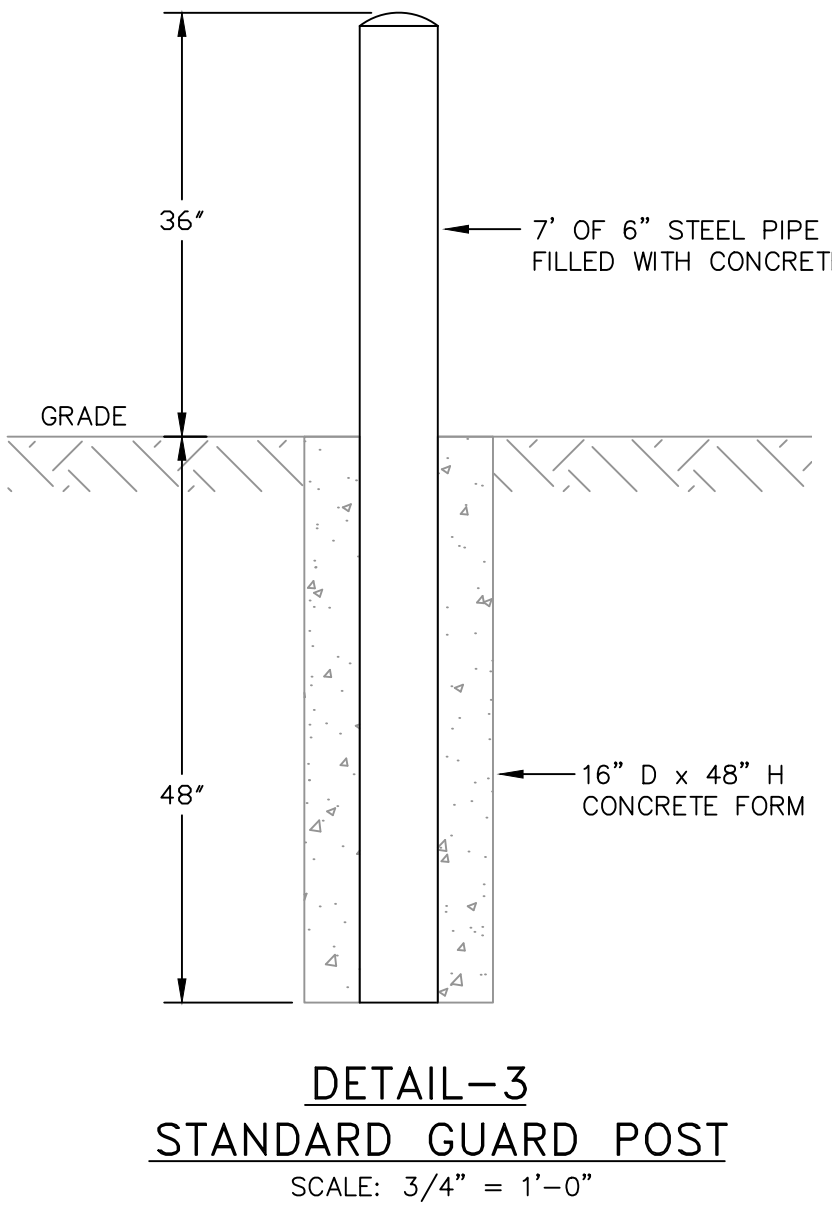
1. Contact Cyndy Friend (612-366-5962) or Rick Anderson (612-366-5870) to coordinate installation. Make contact a minimum of 48 hours in advance to schedule the job.
2. Install a CL-6 sensing line from the 4" TR CL-6 main (A 2097 1996) to ERW mounting post. Bring line above ground using an abodeless riser.
3. Install mounting post within City R/W.
4. Install four guard posts around ERX post.

**ACCOUNTING NOTE:**

A new CL-6 pressure monitor and telemetering to be installed at 89<sup>th</sup> Ave N & Tewsbury Gate in the City of Maple Grove.



- GUARD POST INSTALLATION REQUIREMENTS FOR REGULATOR STATIONS:**
- SHALL BE CONSTRUCTED OF AT LEAST 6" DIAMETER STEEL PIPE FILLED WITH CONCRETE
  - SHALL BE SPACED NOT MORE THAN 4' ON CENTER
  - SHALL BE SET NOT LESS THAN 3' FROM THE PROTECTED SYSTEM
  - SHALL BE SET NOT LESS THAN 3' FROM THE PROTECTED SYSTEM
  - SHALL BE SET APPROXIMATELY 4' DEEP IN A CONCRETE FOOTING NOT LESS THAN 15" IN DIAMETER
  - SET WITH THE TOP OF THE POST NOT LESS THAN 3' ABOVE GROUND
  - POSTS SHALL BE LEVELED
  - CONCRETE FORM AND 6" ST PIPE SHALL BE FILLED WITH CONCRETE
  - GROUND AROUND THE GUARD POST SHALL BE WELL COMPACTED TO PREVENT SETTLING
  - EACH POST REQUIRES APPROXIMATELY 6 CUBIC FEET OF CONCRETE OR 5-6 BAGS OF SAKRETE



**CenterPoint Energy**  
MINNESOTA REGION  
PROPRIETARY AND CONFIDENTIAL

PROJECT #: 88220044  
CITY: M52900 - MAPLE GROVE

ONE CALL: HENNEPIN COUNTY  
NW QTR, SEC 18, T119/R22

DISTRICT: NORTHEAST METRO

**LEGEND:**  
— ACTIVE MAIN  
— DESIGNED MAIN  
— PROPOSED ABANDONED/  
— OUT OF SERVICE MAIN  
— ABANDONED/  
— OUT OF SERVICE MAIN

**REVISIONS:**

**PIPE REQUIRED:**  
TELEMETERING

COPIES TO PIPELINE INTEGRITY PACKET: NO  
EMP#: YES  
GAS VALVES: NO  
SURVEYOR REQUIRED?: NO  
CORROSION?: NO  
TECH#: N/A  
DD#: N/A  
GFIP#: N/A  
TYPE: STEL

FOLLOW INTERNAL PIPE SAMPLING REQUIREMENTS: ? N/A  
RETURN PACKET TO ENG: NO  
PERMITS: MAPLE GROVE

**PROJECT DESCRIPTION:**  
CL-6 TELEMETERING

**PROJECT ADDRESS:**  
89TH AVE & TEWSBURY GATE, MAPLE GROVE MN. 55311

DESIGNED BY: ERIC YANG  
PHONE: (612) 321-5334  
DRAWN BY: DEXTER RICHARDS  
PHONE: (612) 321-4756  
DATE: 12/04/18

I hereby certify that this plan, specification, or report was prepared by me or under my direct supervision and that I am a duly Licensed Professional Engineer under the laws of the State of Minnesota.  
Signature: *David Henningsgaard*

Type or Printed Name: DAVID HENNINGSGAARD  
Date: 1/21/2019 REG. No. 22174

SCAN DATE: SCALE: AS NOTED  
SHEET 1 OF 1

Shared on NW Linden\Vol1\1\ENG\AutoCAD\_Shared\ERIC\_Y\88220044-18 (MAPLE GROVE TELEMETERING)\12-04-18